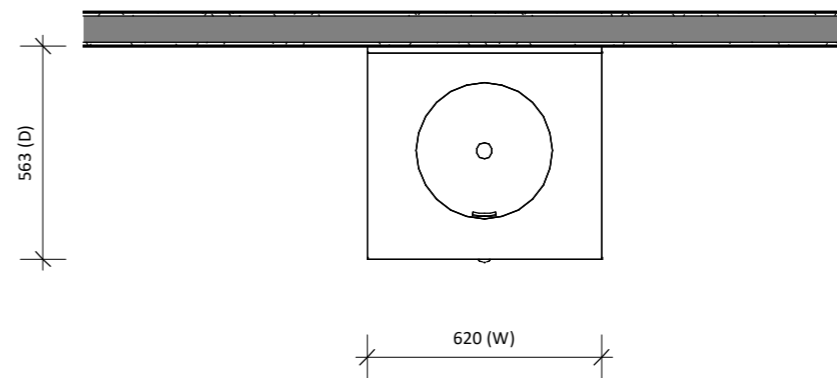
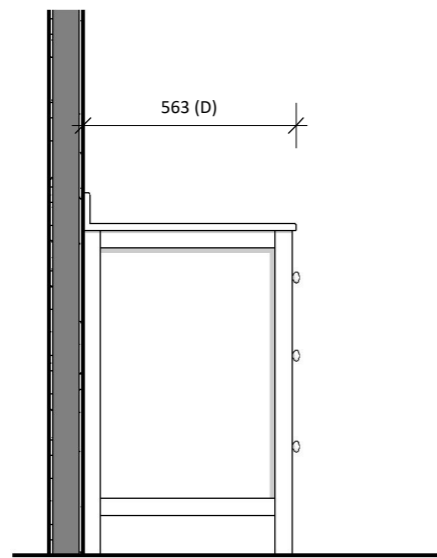


01 E2

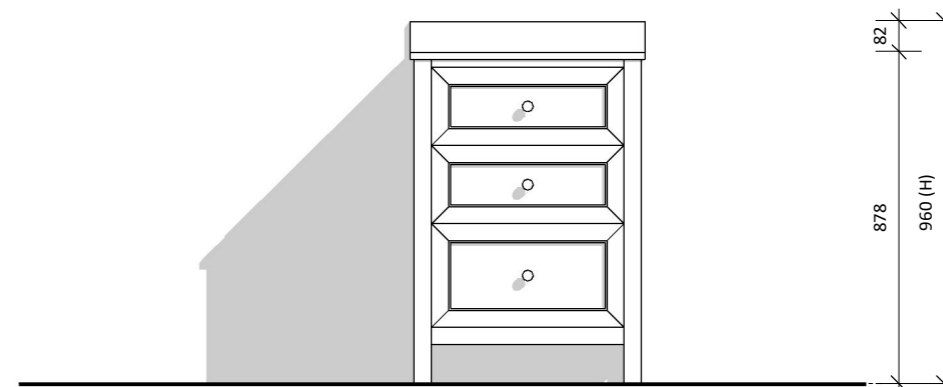


**TOP VIEW**  
scale 1:20

E1  
01



**E2 SIDE**  
01 scale 1:20



**E1 FRONT**  
01 scale 1:20

**Vanity**  
BY DESIGN

Phone: (07) 3376 6055

Email: [enquiries@vanitybydesign.com.au](mailto:enquiries@vanitybydesign.com.au)

Address: 241 Monier Road, Darra, Qld 4076

Web: <https://www.vanitybydesign.com.au>

Size: (± 0.5" Tolerance)

620 (W) mm x 563 (D) mm x 960 (H) mm

Cabinet Type:

Freestanding

Notes:

- wastes and faucets are not included.
- Vanity unit must be installed by a qualified tradesmen - Failure to do so will void the warranty.
- Plumbing fixtures must be installed by a qualified plumber - Failure to do so will void the warranty.
- Warranty information: 5 years on cabinet & 12 months on top and basin(s).
- Caution boxes may be heavy and will require 2 people to lift.

CHESTER 600