

V

Byron
collection

20
24

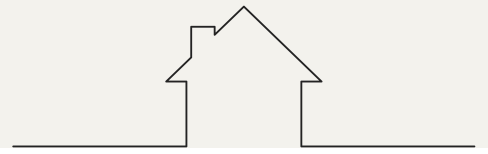


House Collection

Byron 900 Single

Byron 1500 Double

Rubie 460



House Collection



Byron 900 Single



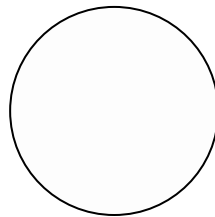
Byron 1500 Double



Rubie 460

Cabinet Finish

Choose your paint finish | Custom Paint also available upon request



White

Bench Top

Subject to availability and chosen design

Handles

Choose a finish



Snow-Blanc

Crystalline Silica-Free
(Engineered Stone)



Ayla

Crystalline Silica-Free
(Engineered Stone)



Brushed Gold



Brushed Nickel



Byron collection

– Elevate your bathroom sanctuary with the timeless sophistication of the Byron Wall Hung Vanity. A seamless fusion of traditional charm and modern functionality. Crafted for those with an eye for classic design and a penchant for contemporary aesthetics, the Byron is the epitome of versatility and elegance.

Byron 900 | Single Basin

900 Length x 500 Depth

Byron 1500 | Double Basin

1500 Length x 500 Depth

Please Note!

2024 Collection varies from previous models. The New Collection has a shorter depth allowing it to be more versatile for clients!



Byron

Byron 900 Single - 2024

Cabinet Size: 880mm (L) X 490mm (D) X 500mm (H)

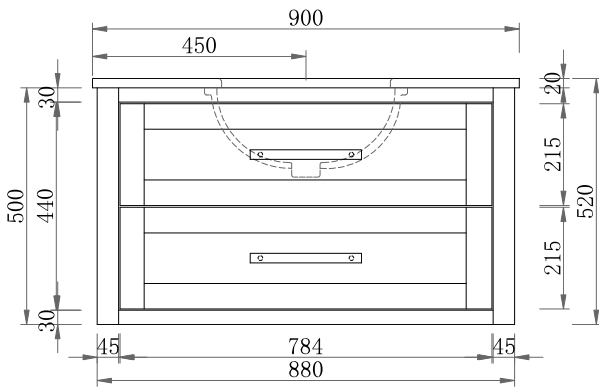
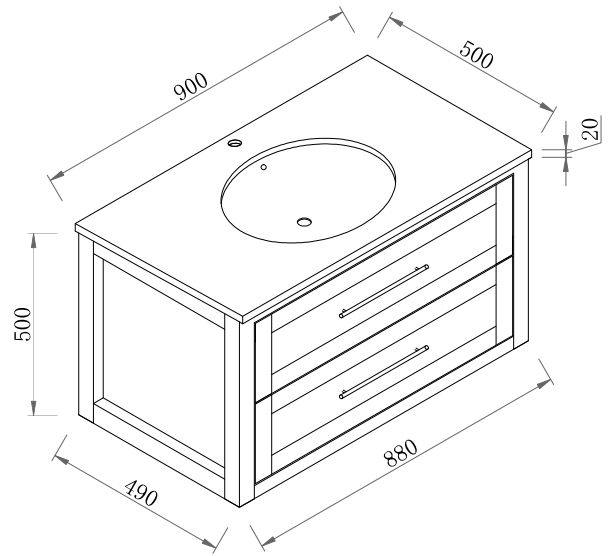
Top Size: 900mm (L) X 500mm (D) X 20mm (H)

Type: Wall-Hung

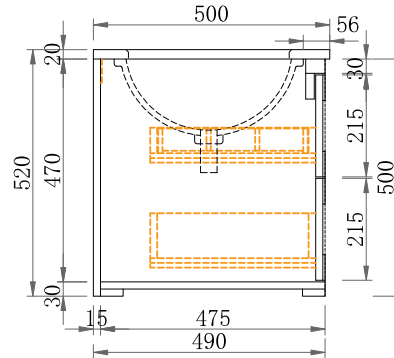
Basin: Oval Under-mount Ceramic Basin

Tap Hole: Client to nominate

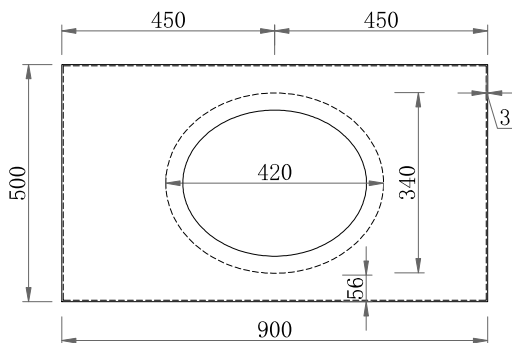
Handle: C2C 192mm (System 32)



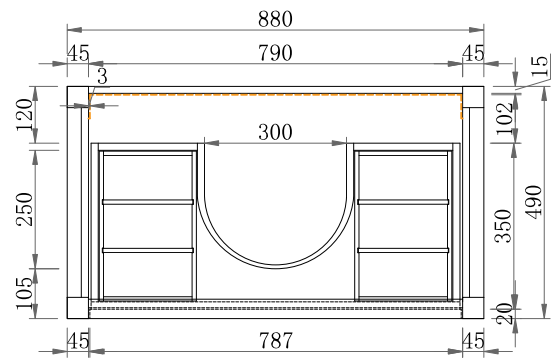
Front Elevation



Section Side



Top View



Section Top - Drawer Inserts

Notes:

- Wastes and faucets are not included.
- Vanity unit must be installed by a qualified tradesmen - Failure to do so will void the warranty.
- Plumbing fixtures must be installed by a qualified plumber - Failure to do so will void the warranty.
- Warranty information: 5 years on cabinet & 12 months on top and basin(s).
- Caution boxes may be heavy and will require 2 people to lift.

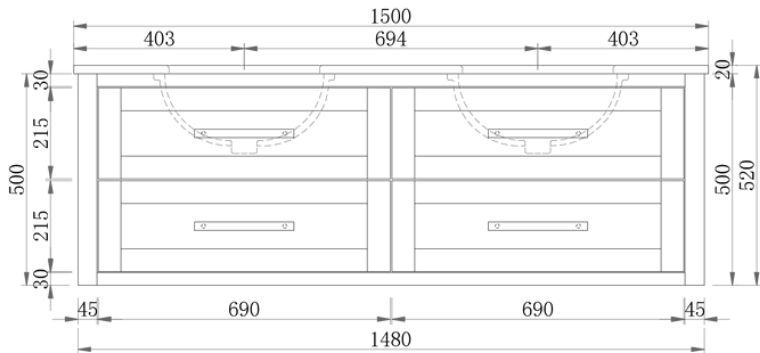
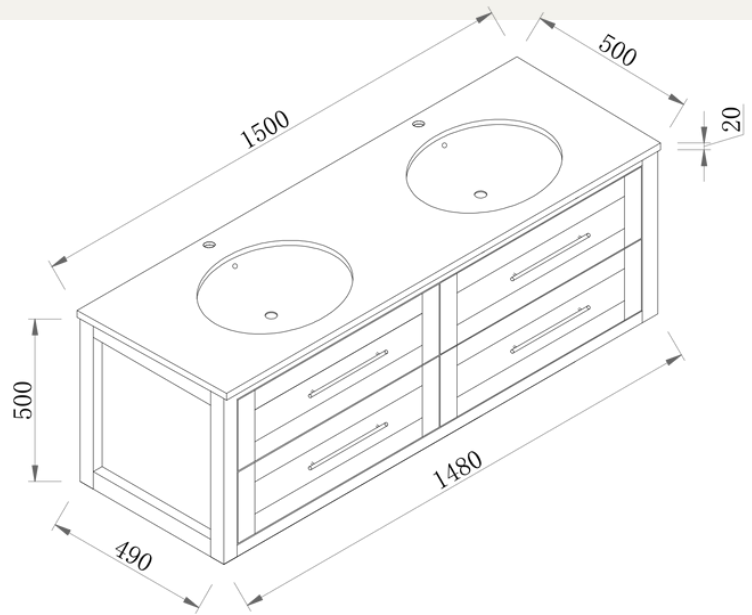




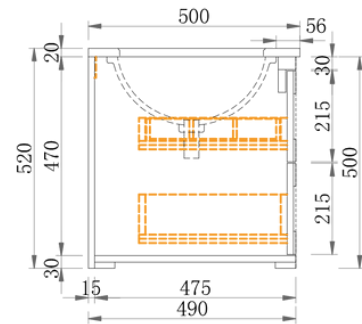
Byron

Byron 1500 Double - 2024

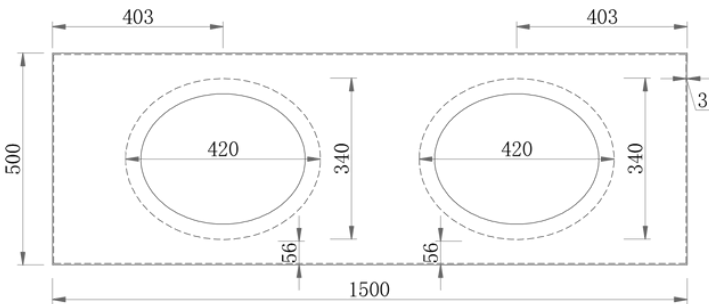
Cabinet Size: 1480mm (L) X 490mm (D) X 500mm (H)
 Top Size: 1500mm (L) X 500mm (D) X 20mm (H)
 Type: Wall-Hung
 Basin: Oval Under-mount Ceramic Basin
 Tap Hole: Client to nominate
 Handle: C2C 192mm (System 32)



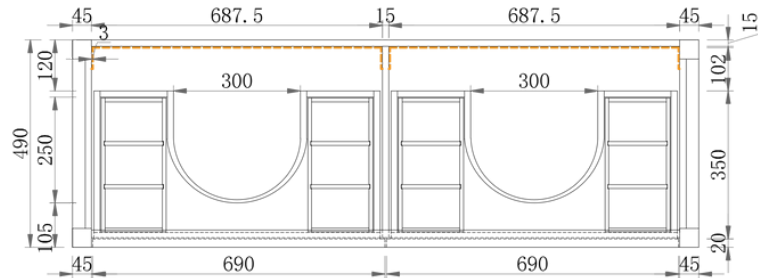
Front Elevation



Section Side



Top View



Section Top - Drawer Inserts

Notes:

- Wastes and faucets are not included.
- Vanity unit must be installed by a qualified tradesmen - Failure to do so will void the warranty.
- Plumbing fixtures must be installed by a qualified plumber - Failure to do so will void the warranty.
- Warranty information: 5 years on cabinet & 12 months on top and basin(s).
- Caution boxes may be heavy and will require 2 people to lift.



vanitybydesign.com.au



vanitybydesign_



TEL: 07 3376 6055



241 Monier Road
Darra, QLD, 4076



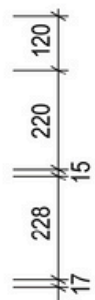
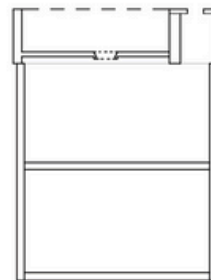
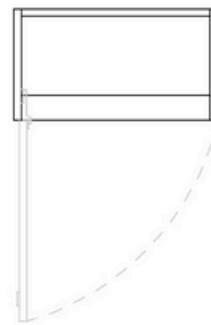
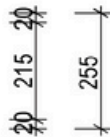
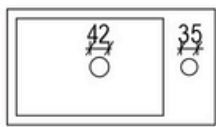
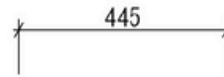
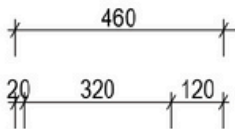
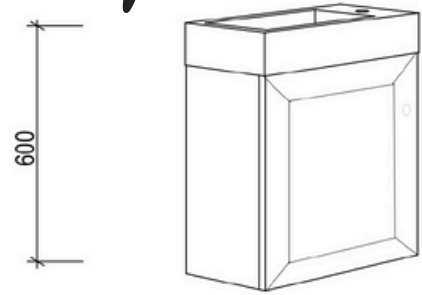
Rubie

Rubie 460

Overall Size: 460mm (L) X 255mm (D) X 600mm (H)

Type: Wall-Hung

*Only Suitable for Mixer Tap



Notes:

- Wastes and faucets are not included.
- Vanity unit must be installed by a qualified tradesmen - Failure to do so will void the warranty.
- Plumbing fixtures must be installed by a qualified plumber - Failure to do so will void the warranty.
- Warranty information: 5 years on cabinet & 12 months on top and basin(s).
- Caution boxes may be heavy and will require 2 people to lift.



vanitybydesign.com.au



[vanitybydesign_](https://www.instagram.com/vanitybydesign_)



TEL: 07 [3376 6055](tel:33766055)



241 Monier Road
Darra, QLD, 4076