

V

Mac

collection

20
24

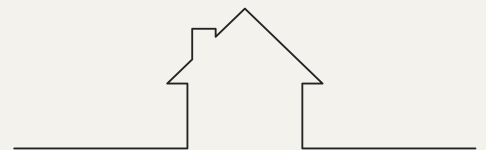


House Collection

Mac 900 Single

Mac 1500 Double

Chelsea 460



House Collection



Mac 900 Single



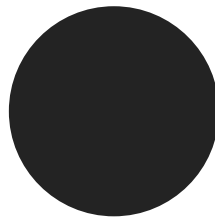
Mac 1500 Double



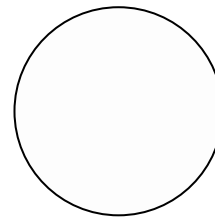
Chelsea 460

Cabinet Finish

Choose your Paint Finish | Custom Paint



Black



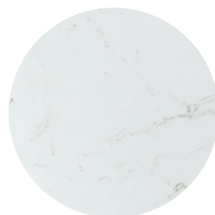
White

Bench Top

Subject to availability and chosen design



Snow-Blanc
Crystalline Silica-Free
(Engineered Stone)



Ayla
Crystalline Silica-Free
(Engineered Stone)

Basin

Client to Nominate



Tommy White or Black
(Standard)



Mac collection

– Our Mac range is a contemporary design with a slatted textural detail and seamless handle. Inspired by modern Australian architecture, Mac is a true reflection of our relaxed beach to city lifestyle.

Mac 900 | Single Basin
900 Length x 460 Depth

Mac 1500 | Double Basin
1500 Length x 460 Depth

Please Note!

We have some 2023 similar collections available for immediate pick-up. 23' Stock will have slight differences in overall dimensions!



Mac

Mac 900 Single - 2024 (Wall Hung)

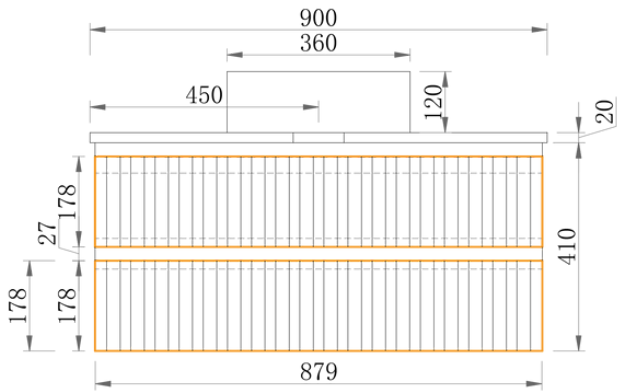
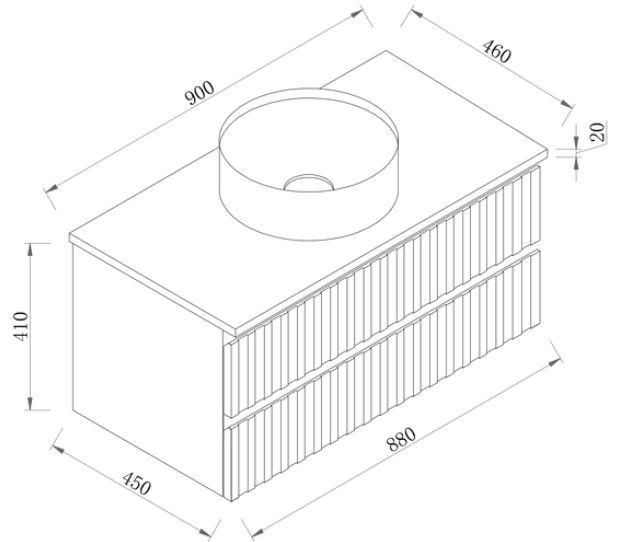
Cabinet Size: 880mm (L) X 450mm (D) X 500mm (H)

Top Size: 900mm (L) X 460mm (D) X 20mm (H)

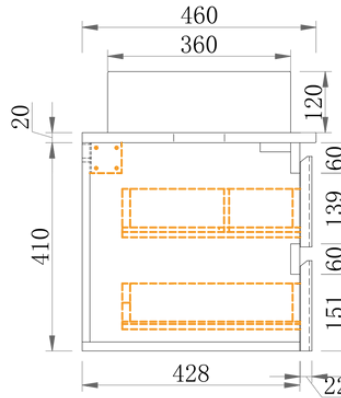
Type: Wall Hung

Basin: Client to nominate

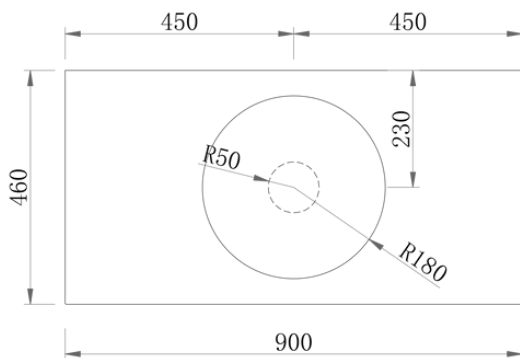
No Tap Holes, Tapware to be wall-mounted



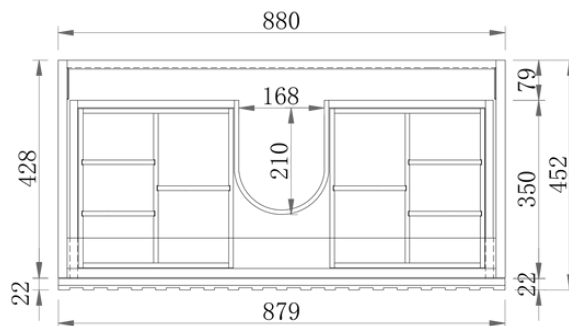
Front Elevation



Section Side



Top View



Section Top - Drawer Inserts

Notes:

- Wastes and faucets are not included.
- Vanity unit must be installed by a qualified tradesmen - Failure to do so will void the warranty.
- Plumbing fixtures must be installed by a qualified plumber - Failure to do so will void the warranty.
- Warranty information: 5 years on cabinet & 12 months on top and basin(s).
- Caution boxes may be heavy and will require 2 people to lift.

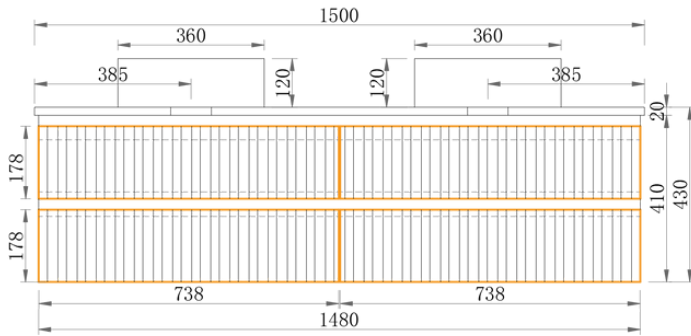
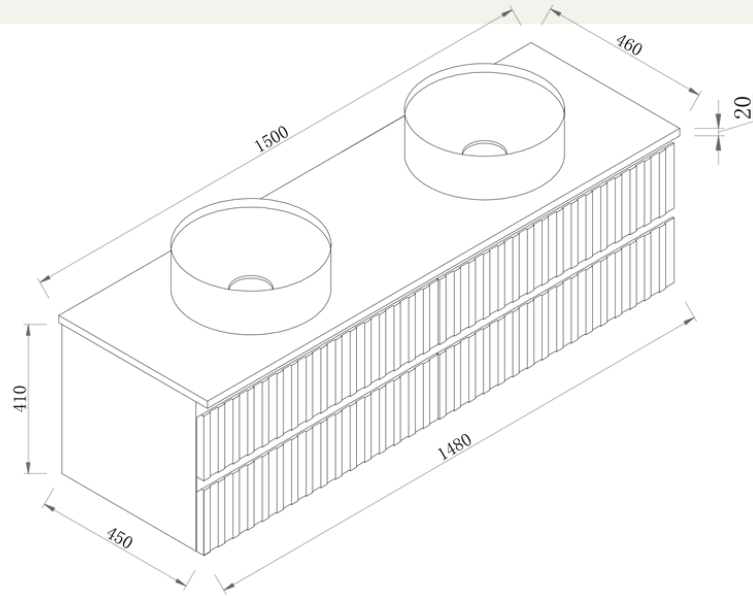


Mac

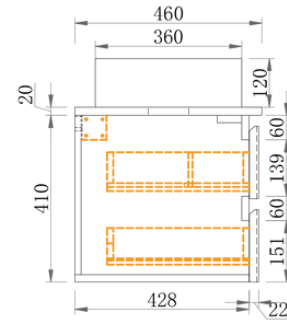


Mac 1500 Double - 2024 (Wall Hung)

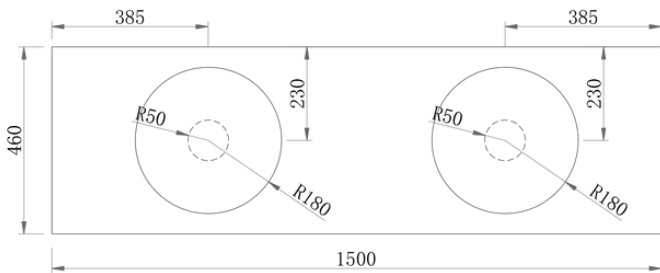
Cabinet Size: 1480mm (L) X 450mm (D) X 500mm (H)
 Top Size: 1500mm (L) X 460mm (D) X 20mm (H)
 Type: Wall Hung
 Basin: Client to nominate
 No Tap Holes, Tapware to be wall-mounted



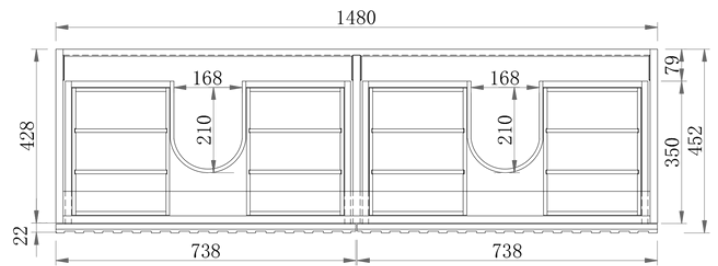
Front Elevation



Section Side



Top View



Section Top - Drawer Inserts

Notes:

- Wastes and faucets are not included.
- Vanity unit must be installed by a qualified tradesmen - Failure to do so will void the warranty.
- Plumbing fixtures must be installed by a qualified plumber - Failure to do so will void the warranty.
- Warranty information: 5 years on cabinet & 12 months on top and basin(s).
- Caution boxes may be heavy and will require 2 people to lift.



vanitybydesign.com.au



vanitybydesign_



TEL: 07 3376 6055



241 Monier Road
 Darra, QLD, 4076



Chelsea

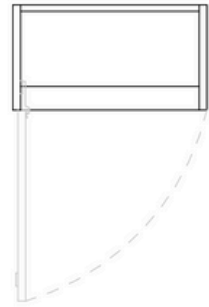
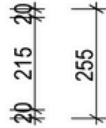
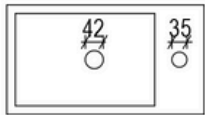
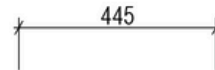
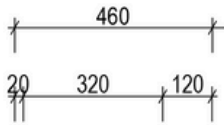
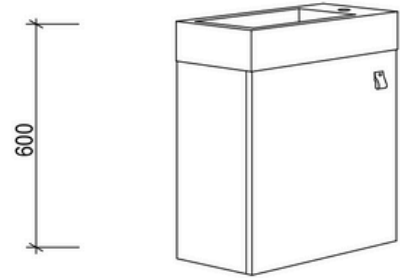
Chelsea 460

Overall Size: 460mm (L) X 255mm (D) X 600mm (H)

Type: Wall-Hung

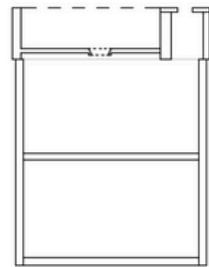
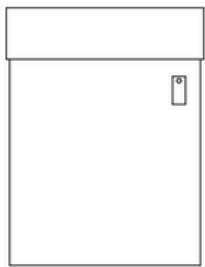
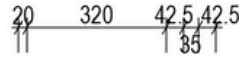
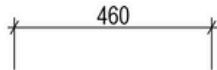
*Only Suitable for Mixer Tap

Finish - Natural, Japan Black & Custom Paint



Top View

Section - Top



Front Elevation

Section

Notes:

- Wastes and faucets are not included.
- Vanity unit must be installed by a qualified tradesmen - Failure to do so will void the warranty.
- Plumbing fixtures must be installed by a qualified plumber - Failure to do so will void the warranty.
- Warranty information: 5 years on cabinet & 12 months on top and basin(s).
- Caution boxes may be heavy and will require 2 people to lift.



vanitybydesign.com.au



[vanitybydesign_](https://www.instagram.com/vanitybydesign_)



TEL: 07 3376 6055



241 Monier Road
Darra, QLD, 4076



vanitybydesign.com.au



[vanitybydesign_](https://www.instagram.com/vanitybydesign_)



TEL: 07 3376 6055



241 Monier Road
Darra, QLD, 4076